

# ADIGE



## FEATURES

<b>Description</b>	Single-lever tap with swivel spout
<b>Model</b>	ADIGE
<b>Base (mm)</b>	50
(ømm)	35
<b>Spout rotation</b>	360°
<b>Flexi-hose</b>	Stainless Steel 3/8"
(ømm)	35

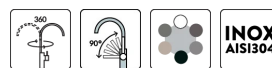
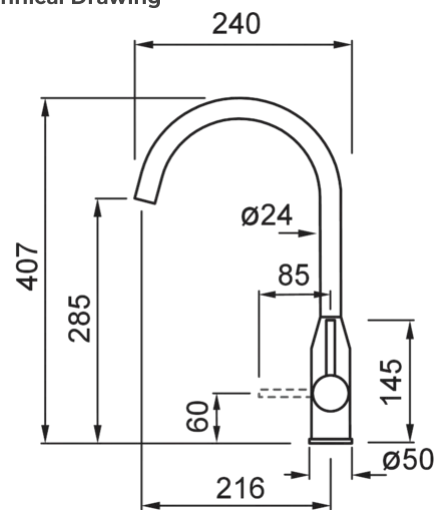
## LOGISTIC DATA

<b>Gross Weight (kg)</b>	2,14
<b>Net Weight (kg)</b>	1,84
<b>Packaging Dimension (kg)</b>	56 x 29,5 x 7,5
<b>Packaging Volume (kg)</b>	0,012

## PACKAGING FEATURES

<b>Packaging</b>	Cardboard box
------------------	---------------

## Technical Drawing



**MIKADIIN IN**  
8031873651336



**MGKADI40 G40**  
8031873102456



**MGKADI68 G68**  
8031873102494



**MKKADI86 K86**  
8032557560654



**MKKADI96 K96**  
8032557560661

