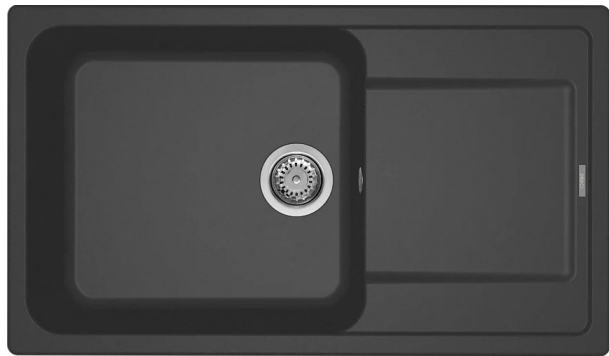
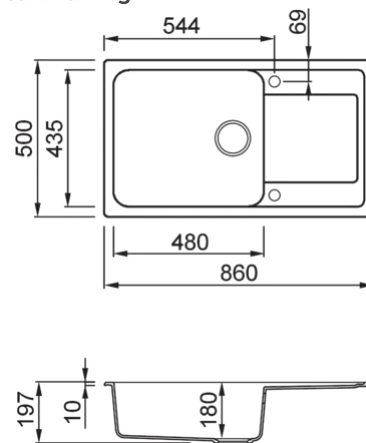


LIFE 410



Technical Drawing



FEATURES

Description	1-bowl sink with drainer
Model	LIFE 410
Base (mm)	600
Installations	Inset
Dimensions (mm)	860 x 500
Hole for built-in installation (mm)	840 x 480
Number of Bowls	1
Bowl Depth (mm)	180



LOGISTIC DATA

Gross Weight (kg)	13,50
Net Weight (kg)	10,20
Packaging Dimension (kg)	940 x 575 x 260
Packaging Volume (kg)	0,162

PACKAGING FEATURES

Packaging	Cardboard and polyethylene
Sink kit	Space-saving siphon, wastes and hooks.

GRANITEK



LG241039 G39
8031873008420

GRANITEK

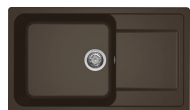
METAL



LM241079 M79
8032557110231

GRANITEK

MATT



LG241078 G78
8032557068006



LG241040 G40
8032557067931



LG241043 G43
8032557067948



LG241048 G48
8032557067955



LG241068 G68
8032557067993

GRANITEK

CLASSIC



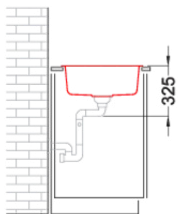
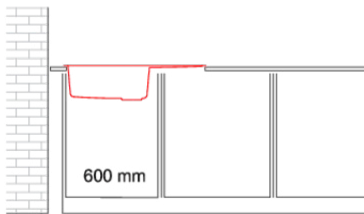
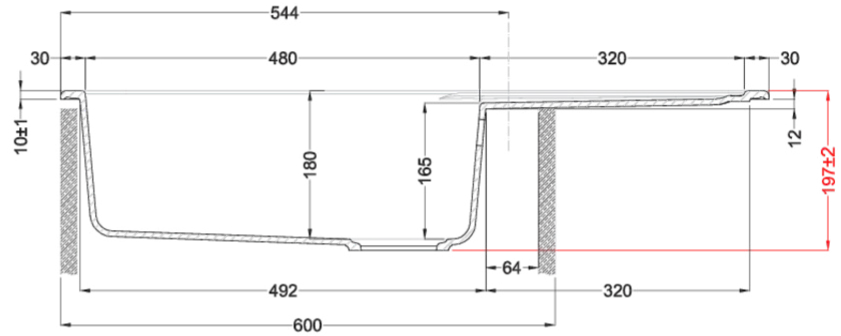
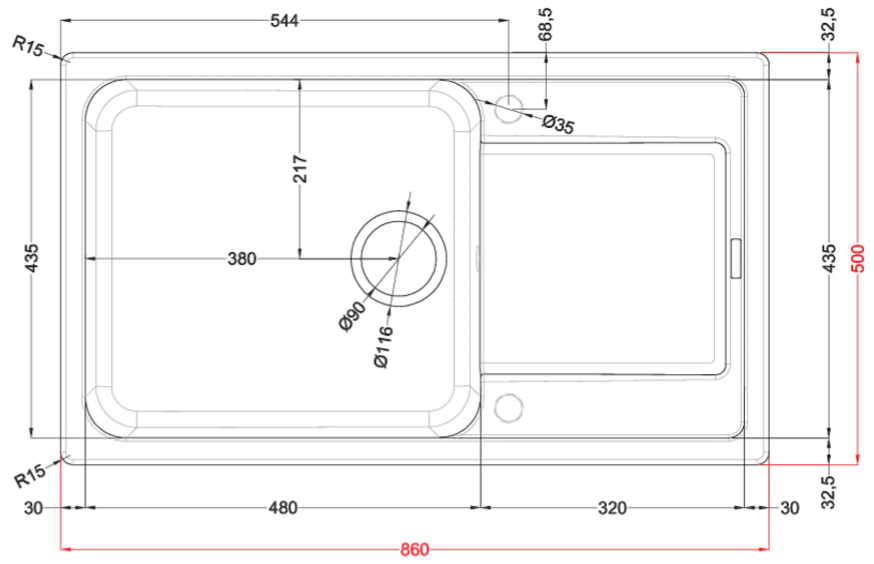
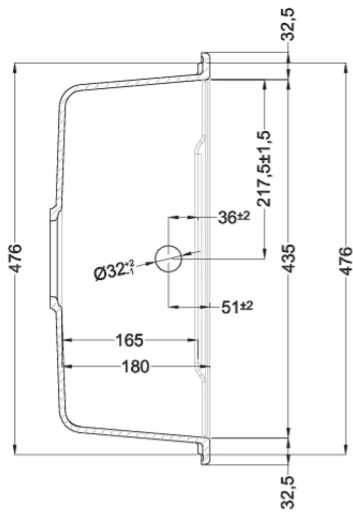
LG241051 G51
8032557067962



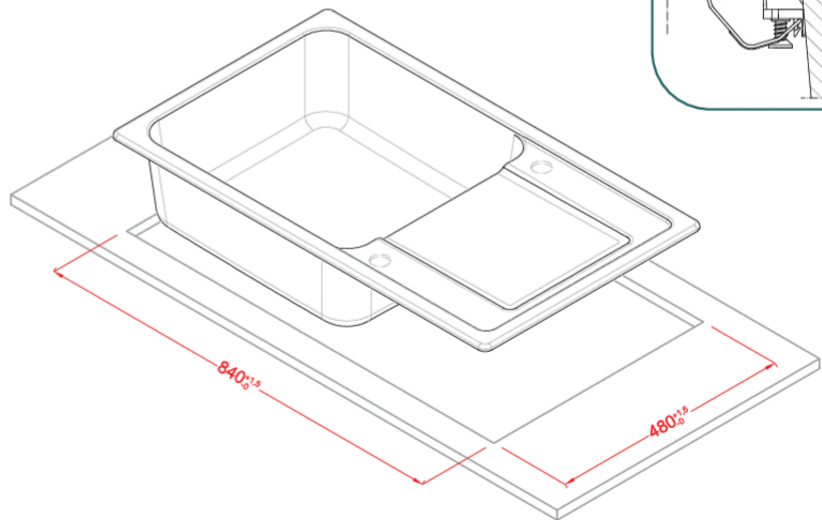
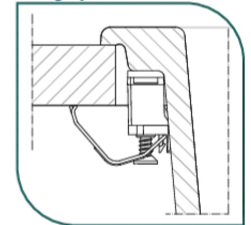
LG241059 G59
8032557067979



LG241062 G62
8032557067986



Fixing System



Life 410

general tolerances where not expressly communicated $\pm 0,4\%$
 connection dimensions according to UNI EN 695
 eventual exceptions are reported with *

elleci