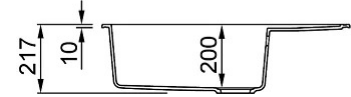
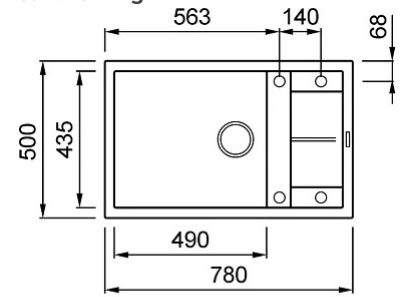


# UNICO 310



## Technical Drawing



### FEATURES

<b>Description</b>	1-bowl sink with drainer
<b>Model</b>	UNICO 310
<b>Base (mm)</b>	600     800 if first component
<b>Installations</b>	Inset
<b>Dimensions (mm)</b>	780 x 500
<b>Hole for built-in installation (mm)</b>	760 x 480
<b>Number of Bowls</b>	1
<b>Bowl Depth (mm)</b>	200

### LOGISTIC DATA

<b>Gross Weight (kg)</b>	17,70
<b>Net Weight (kg)</b>	12,00
<b>Packaging Dimension (kg)</b>	870 x 575 x 300
<b>Packaging Volume (kg)</b>	0,150

### PACKAGING FEATURES

<b>Packaging</b>	Cardboard and polyethylene
<b>Sink kit</b>	Space-saving siphon, wastes and hooks.

# KERATEK



**LKU31096** K96  
8031873028657



**LKU31086** K86  
8031873028596



**LKU31087** K87  
8031873007980



**LKU31088** K88  
8031873007997



**LKU31089** K89  
8031873008000



**LKU31095** K95  
8032861022534



**LKU31099** K99  
8031873028718

# GRANITEK



**LMU31079** M79  
8031873110840



**LGU31039** G39  
8031873006273



**LGU31040** G40  
8032557038184



**LGU31043** G43  
8032557038191



**LGU31048** G48  
8032557038207



**LGU31051** G51  
8032557038214



**LGU31059** G59  
8032557038221



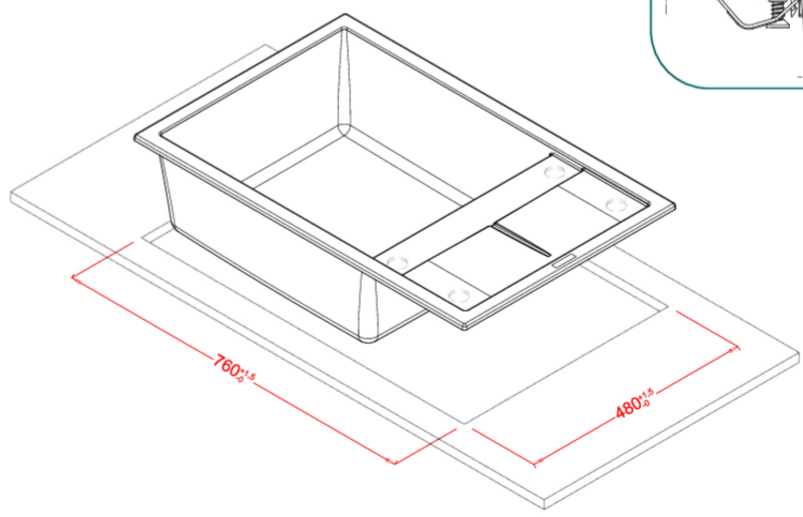
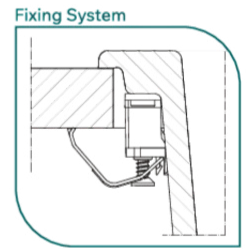
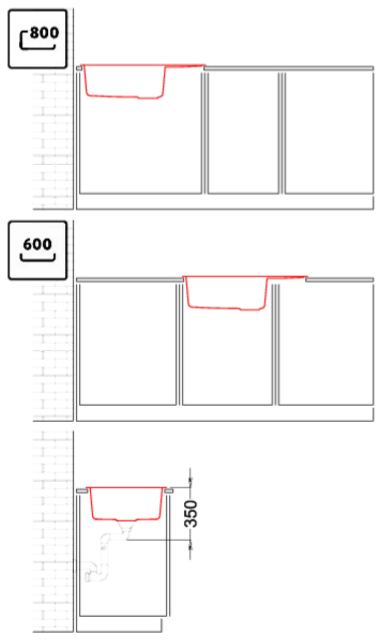
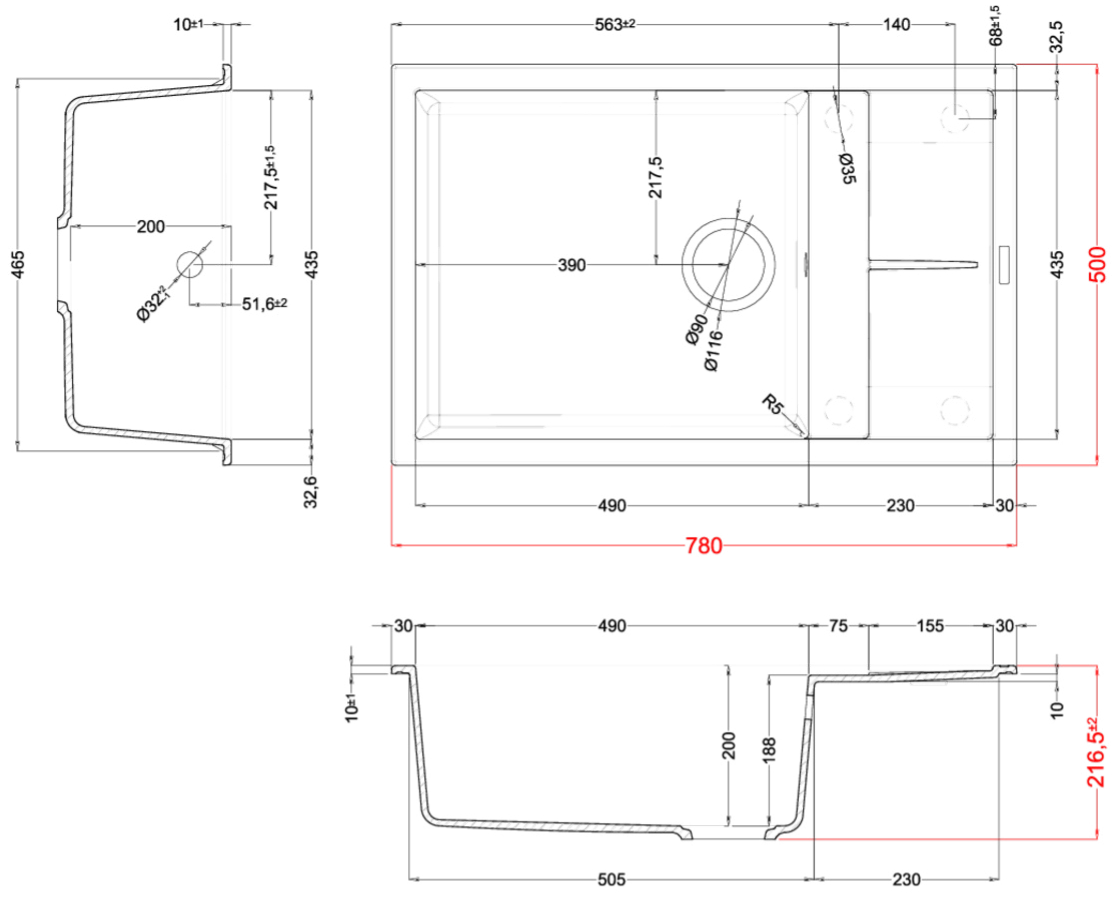
**LGU31062** G62  
8032557038238



**LGU31068** G68  
8032557038245



**LGU31078** G78  
8032557067290



# Unico 310

general tolerances where not expressly communicated ±0,4%  
 connection dimensions according to UNI EN 695  
 eventual exceptions are reported with \*

