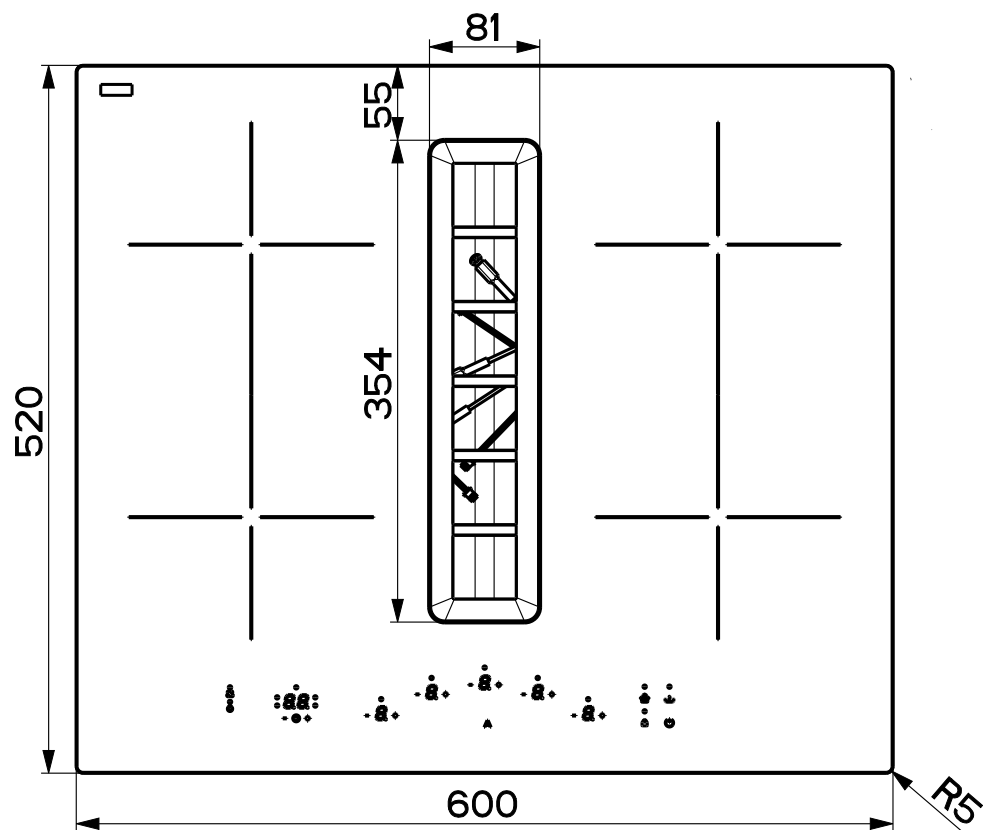
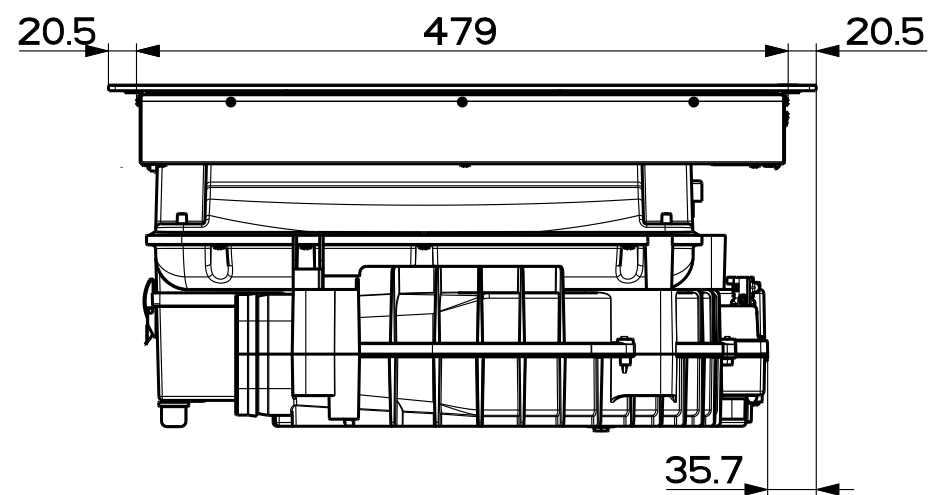
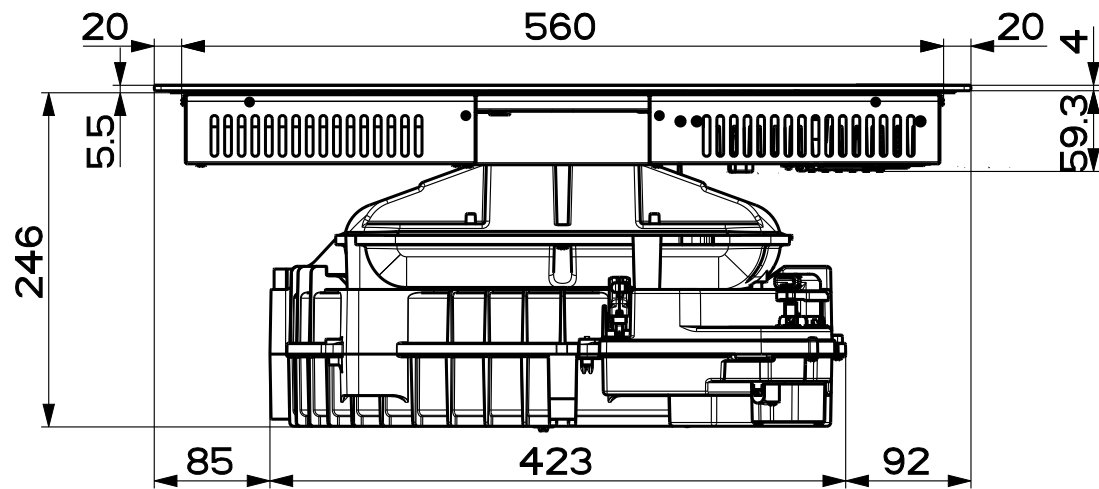
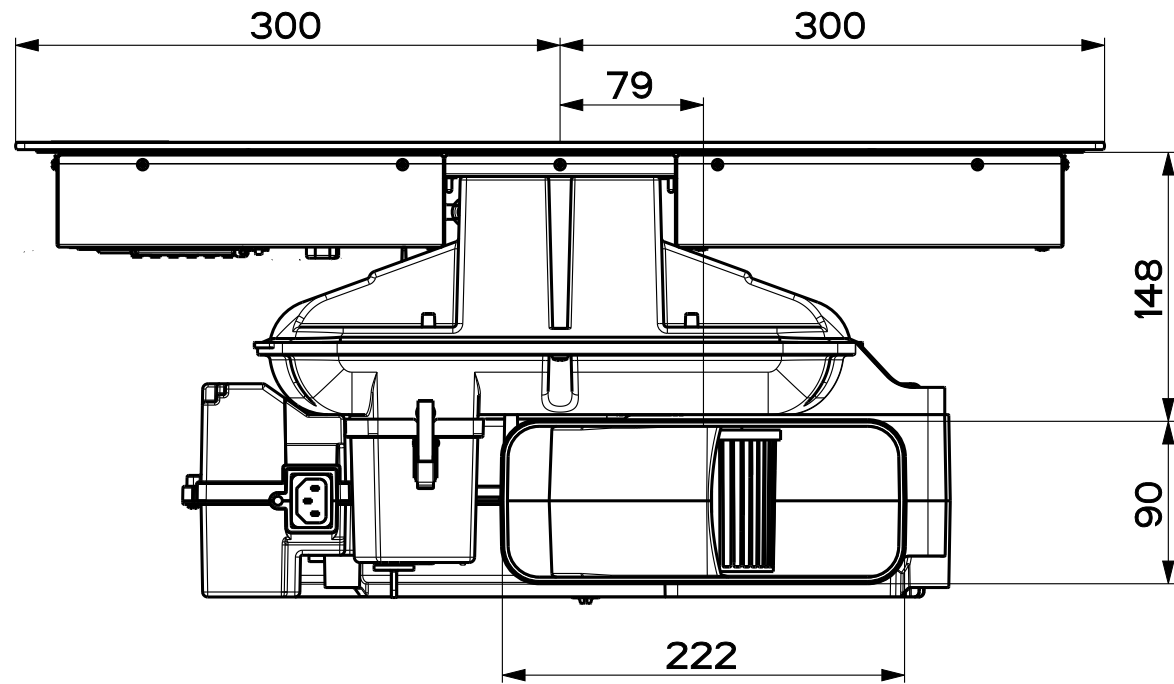



Denomination	
DIM. DRAW. 60 COPRECI	
Lang EN	Sheet 1/3
Approval date 01-Oct-2025	
Doc. status Released	
Drawing N.	Rev
340011_728	01



Denomination	
DIM. DRAW. 60 COPRECI	
Lang EN	Sheet 2/3
Approval date 01-Oct-2025	
Doc. status Released	
Drawing N.	Rev
340011_728	01



Denomination	
DIM. DRAW. 60 COPRECI	
Lang EN 	Sheet 3/3
Approval date 01-Oct-2025	
Doc. status Released	
Drawing N.	Rev
340011_728	01