
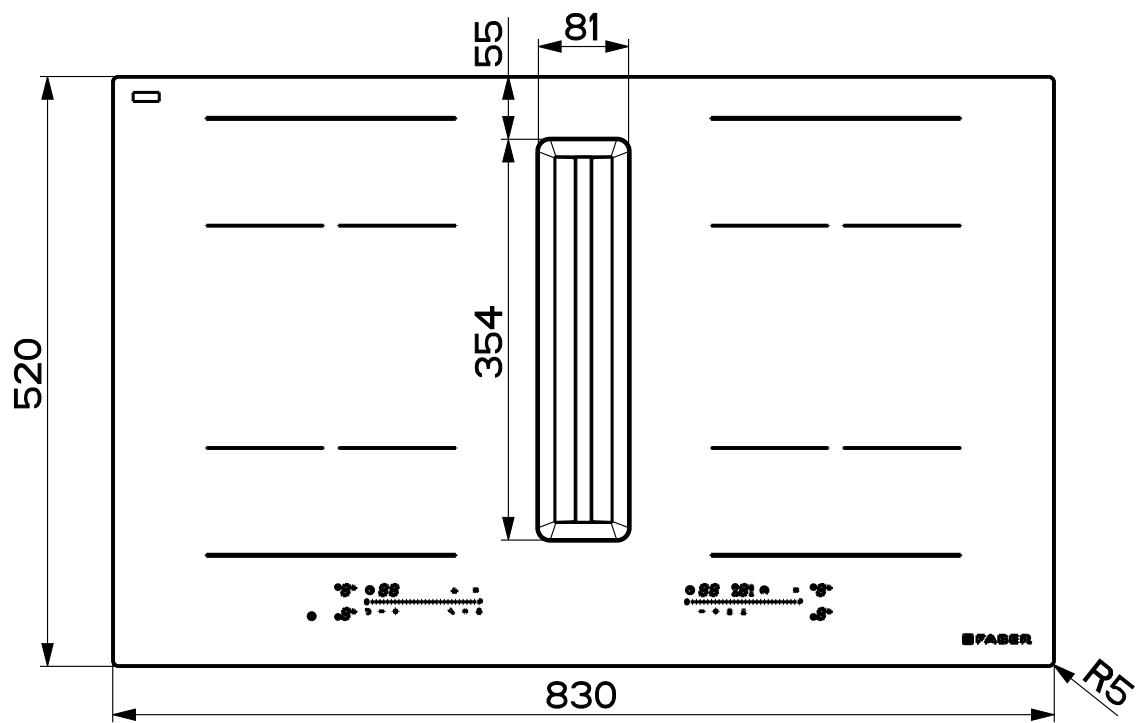
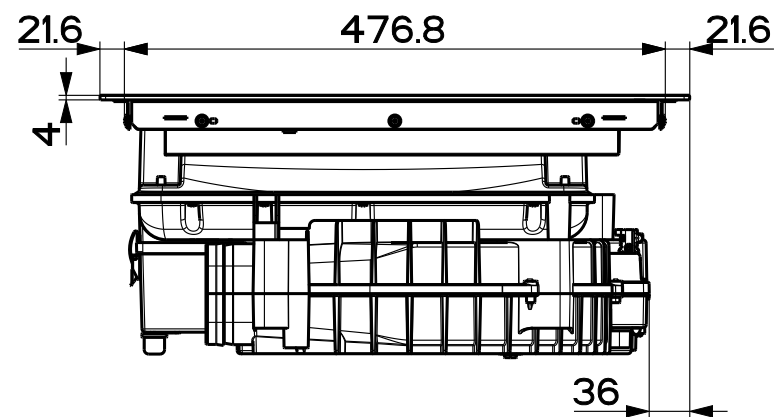
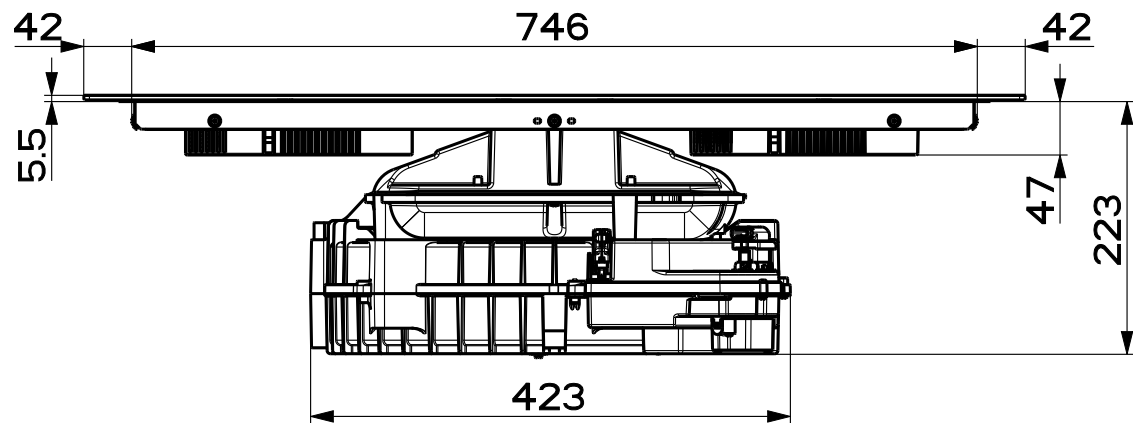
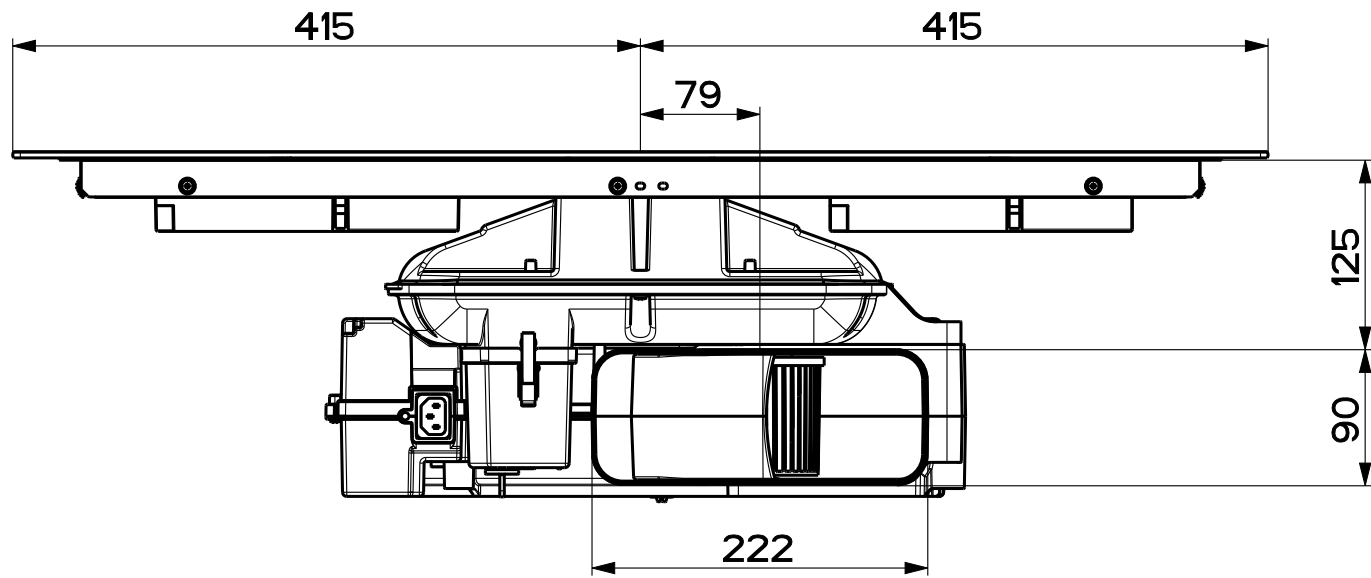



Denomination	
DIMENSIONAL DRAWING FB B4 2 NSENSE 83	
Lang EN 	Sheet 1/3
Approval date 27-Nov-2025	
Doc. status Released	
Drawing N.	Rev
340010_794	01



Denomination	
DIMENSIONAL DRAWING FB B4 2 NSENSE 83	
Lang EN	Sheet 2/3
Approval date 27-Nov-2025	
Doc. status Released	
Drawing N.	Rev
340010_794	01



Denomination	
DIMENSIONAL DRAWING FB B4 2 NSENSE 83	
Lang EN 	Sheet 3/3
Approval date 27-Nov-2025	
Doc. status Released	
Drawing N.	Rev
340010_794	01