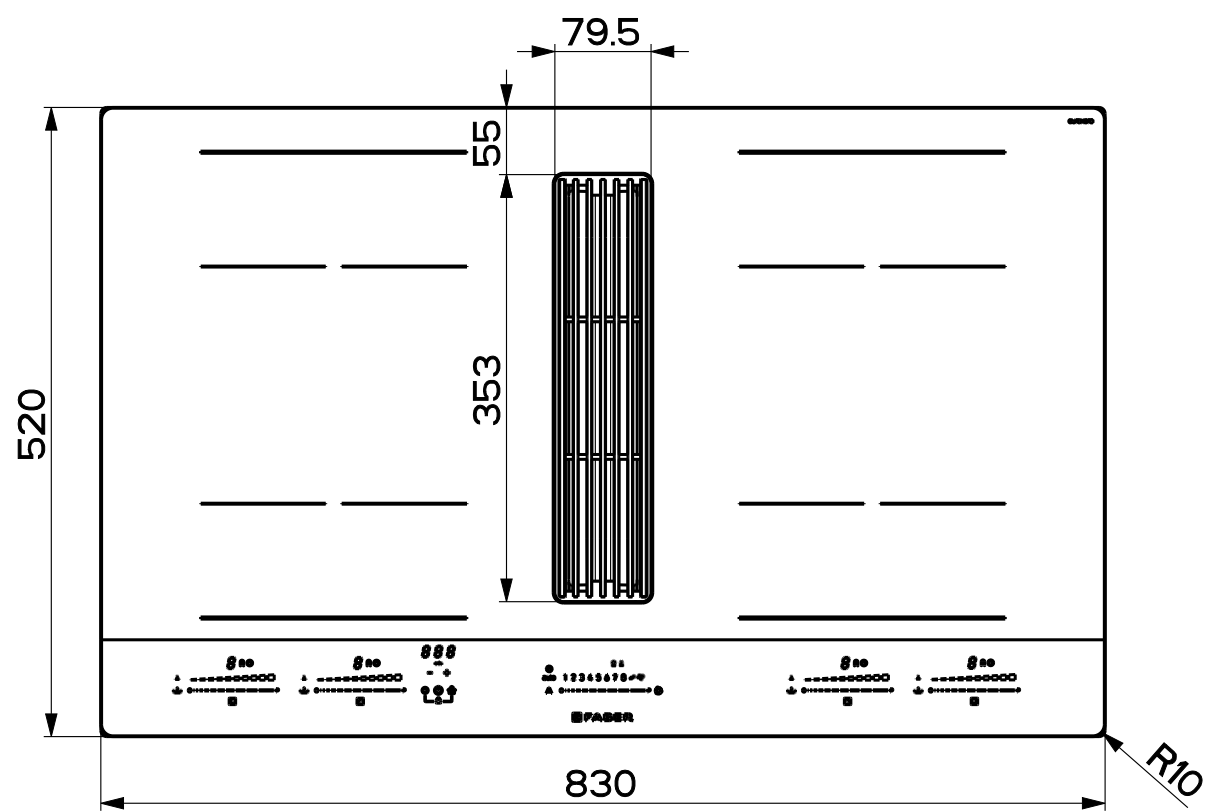
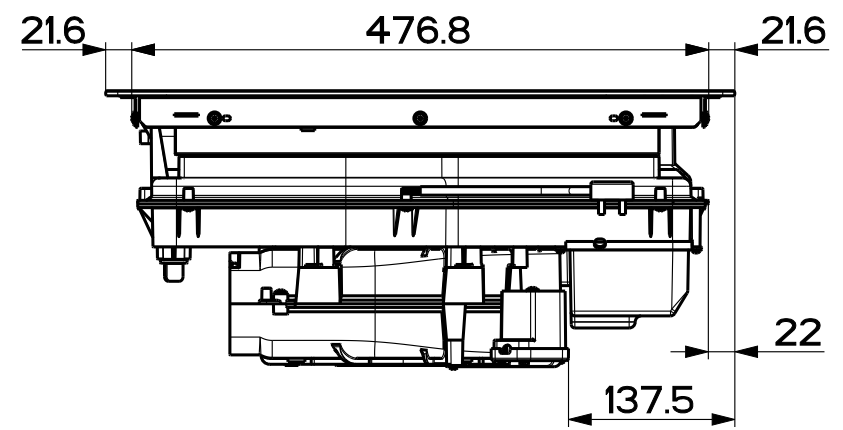
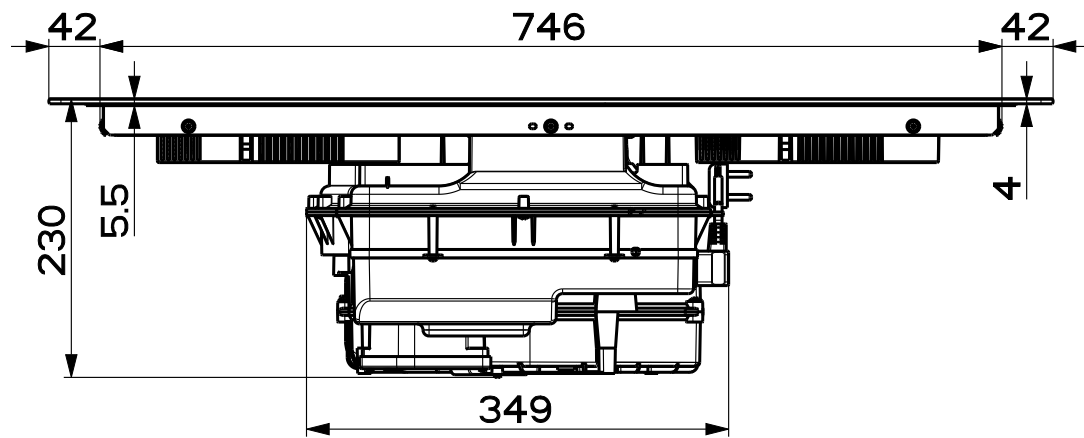


| | |
|--|-----------|
| Denomination | |
| DIM. DRAW. B4 FABER FLEX HIGH 83 ASP/FILTR | |
| Lang EN | Sheet 1/2 |
| Approval date 14-May-2025 | |
| Doc. status Released | |
| Drawing N. | Rev |
| 340006_1055 | 02 |



| | |
|--|-----------|
| Denomination | |
| DIM. DRAW. B4 FABER FLEX HIGH 83 ASP/FILTR | |
| Lang EN | Sheet 2/2 |
| Approval date 14-May-2025 | |
| Doc. status Released | |
| Drawing N. | Rev |
| 340006_1055 | 02 |