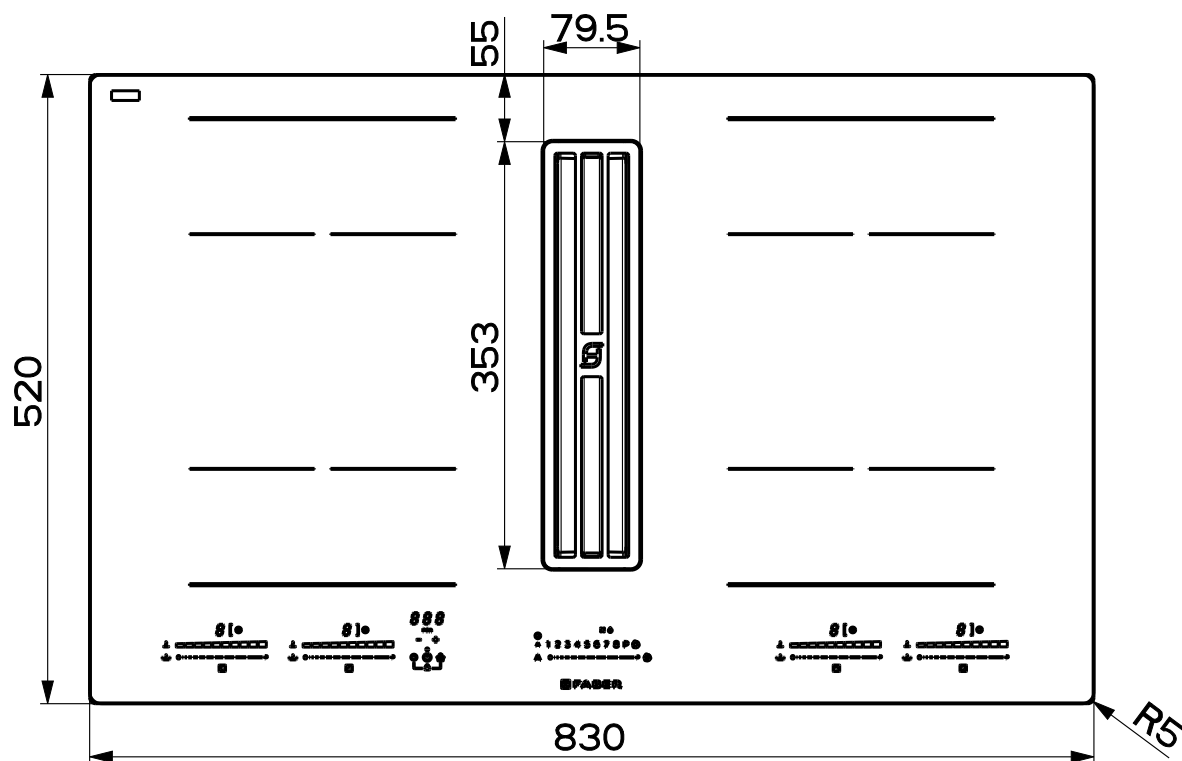
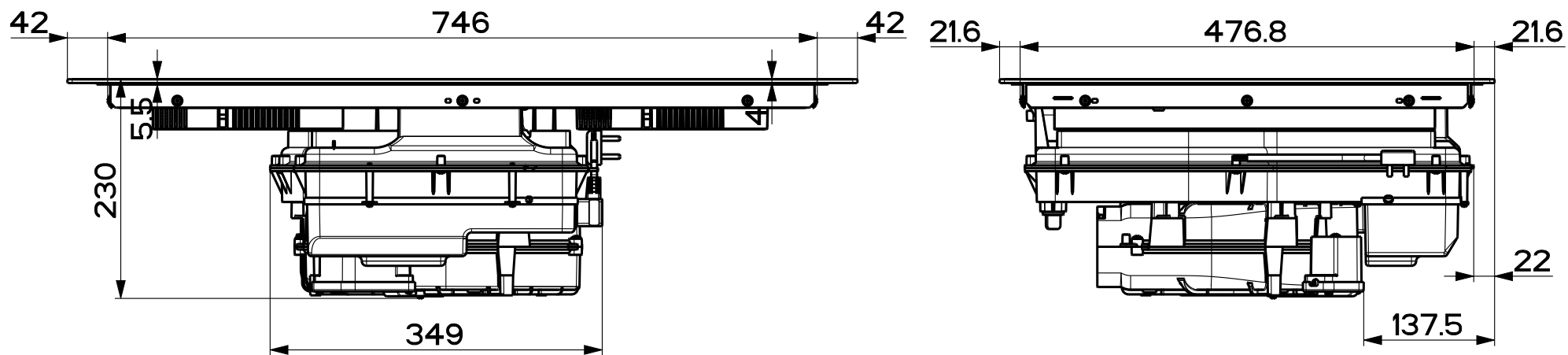


Denomination	
DIM. DRAW. B4 FABER FLEX MID 83 ASP/FILTR	
Lang EN	Sheet 1/2
Approval date 19-Jun-2025	
Doc. status Released	
Drawing N.	Rev
340006_1050	02



Denomination	
DIM. DRAW. B4 FABER FLEX MID 83 ASP/FILTR	
Lang EN	Sheet 2/2
Approval date 19-Jun-2025	
Doc. status Released	
Drawing N.	Rev
340006_1050	02